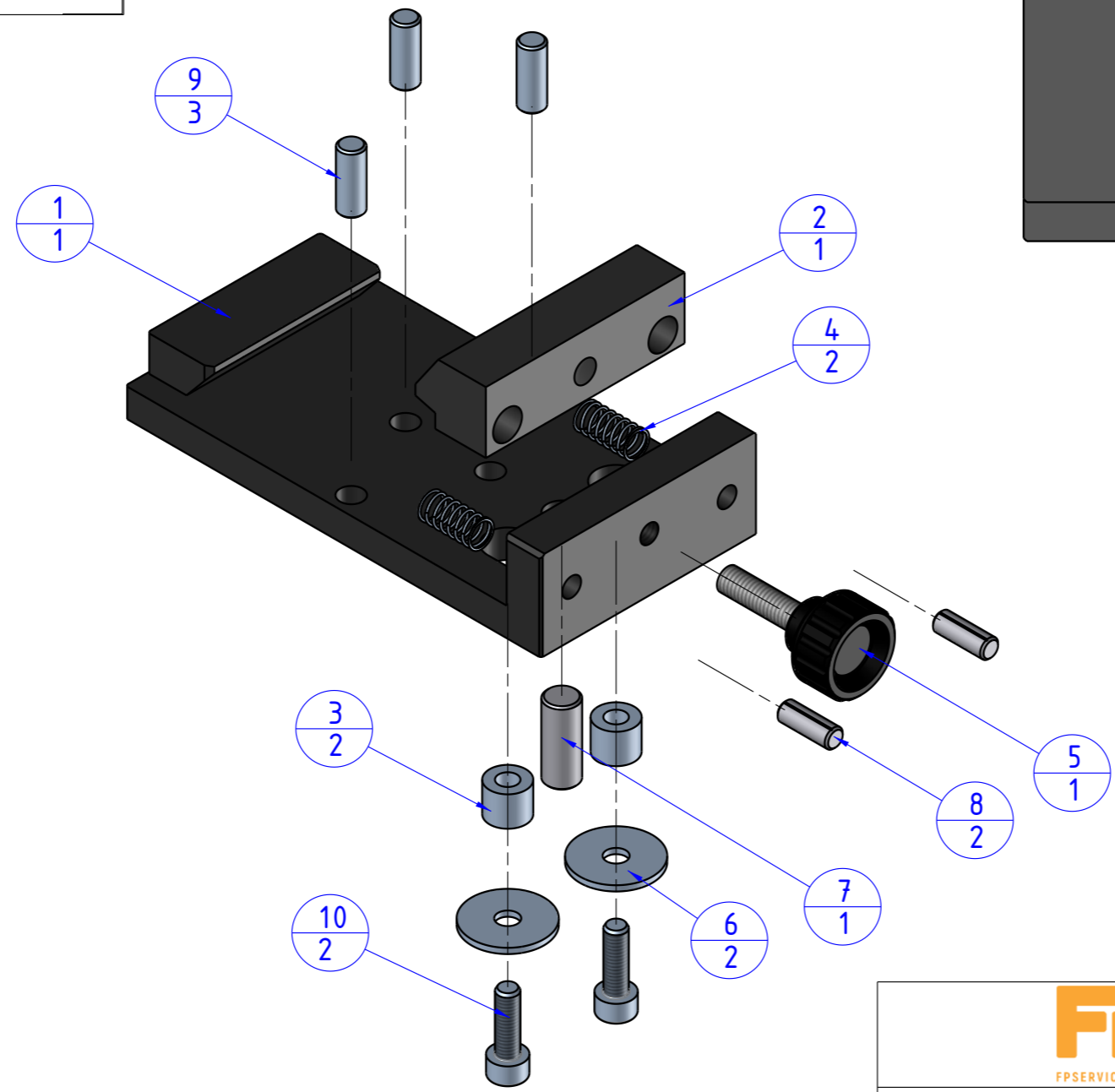
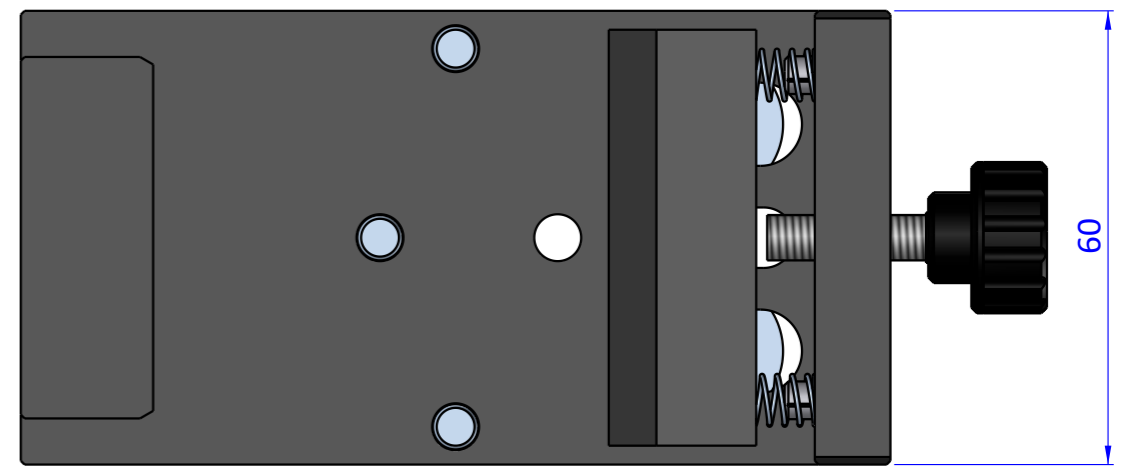
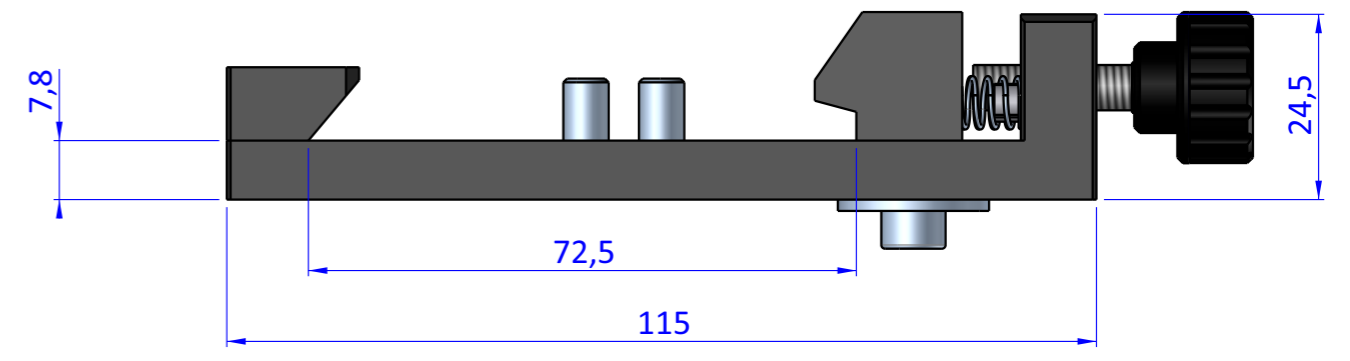



THE PROPERTY OF THE DRAWING IS ESTABLISHED BY LAW. IT IS FORBIDDEN TO PRODUCE OR SHOW IT TO THIRD PART - WITHOUT A WRITTEN AGREEMENT.

Item	Name	Q.ty
1	01.02.001A.01	1
2	01.02.001A.02	1
3	01.02.007.03	2
4	M.7x18	2
5	POM.6581	1
6	R.L5	2
7	SP.8x20	1
8	SPI.5x14	2
9	SPI.6x16	3
10	V.TCE5x16	2



Format A3
UNI 936-76

 FPS SERVICES AUTOMATION		DESIGNED FROM		REVIEW
		FPS Automation		A
GENERAL TOLERANCE		DATE	WEIGHT	
UNI - ISO 2768		17/01/2022	0,234kg	
CLASSE f		CODE		
		CA.01.02.001		CA.01.02.001